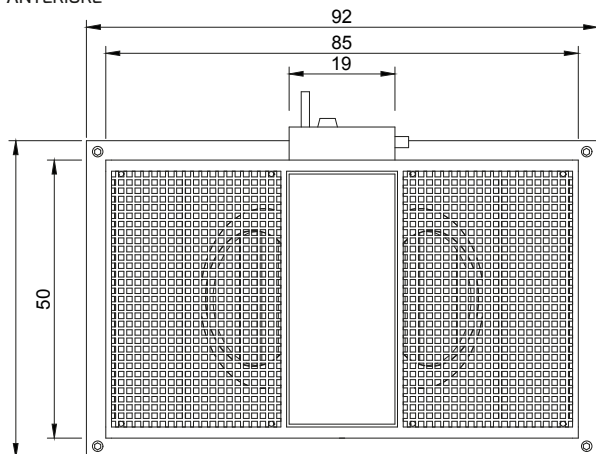
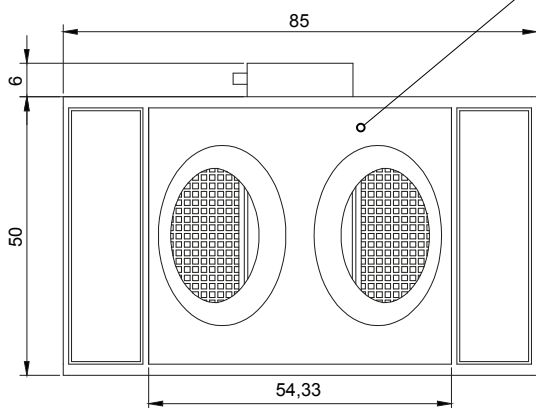


Model	RTKE 154810/8	Tensione	48/53,4 Vdc	Peso	45 kg
Serie	BLDC EC FAN	Potenza	760 W	Pressione sonora	51 dBa
Prot. IP	43 BH	Portata	6000 m ³ h	Dimensione	92x50x56cm
		Prevalenza	190 Pa		

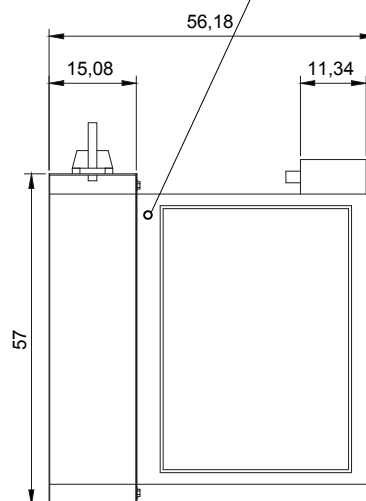
ANTERIORE



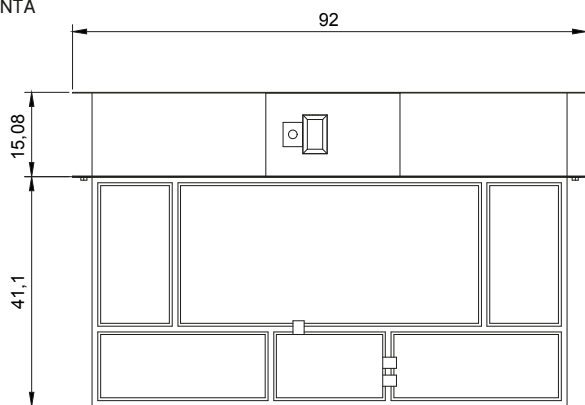
FLANGIA ATTACCO CANALE



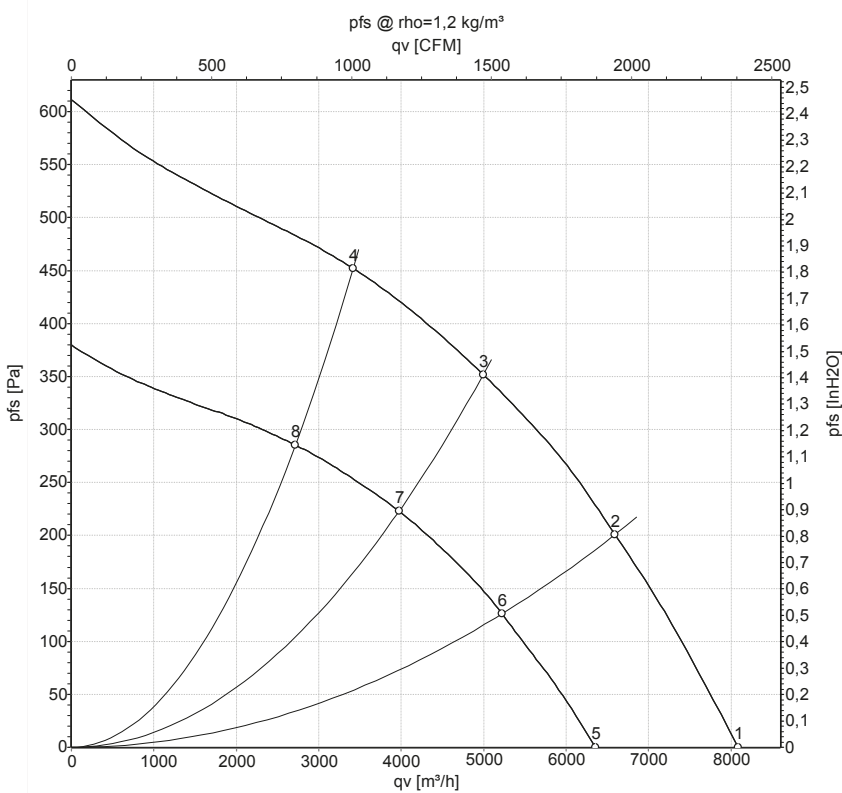
PROSPETTO LATERALE



PIANTA



Curves: Airperformance



Measured values

	U	n	P _{ed}	I	q _v	P _{fs}	q _v	P _{fs}
	V	min ⁻¹	W	A	m ³ /h	Pa	cfm	in. wg
1	48-57	1760	580		7045	0	4145	0.00
2	48-57	1710	716		5295	200	3120	0.80
3	48-57	1690	766		4495	350	2645	1.41
4	48-57	1705	736		2710	450	1600	1.81
5	36	1390	294	4.11	6180	0	3640	0.00
6	36	1360	350	4.88	4610	126	2710	0.51
7	36	1345	384	5.35	2985	224	1755	0.90
8	36	1355	366	5.12	2360	285	1390	1.14

U = Power supply · n = Speed (rpm) · P_{ed} = Power consumption · I = Current draw · q_v = Air flow · p_{fs} = Pressure increase