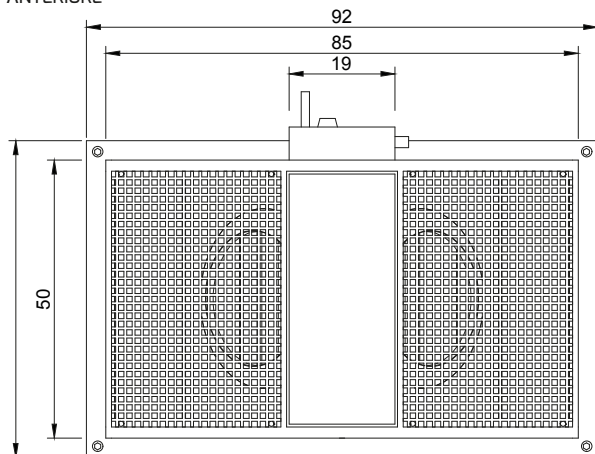
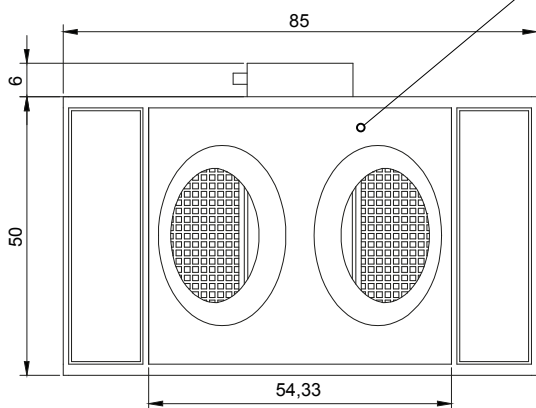


Model	RTKE 154810/8	Tensione	220/240 Vac	Peso	45 kg
Serie	BLDC EC FAN	Potenza	760 W	Pressione sonora	51 dBa
Prot. IP	43 BH	Portata	5600 m ³ h	Dimensione	92x50x56cm
		Prevalenza	190 Pa		

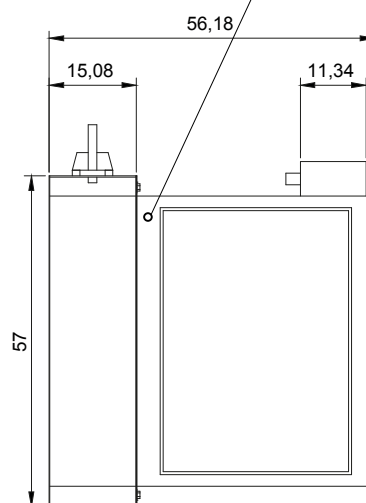
ANTERIORE



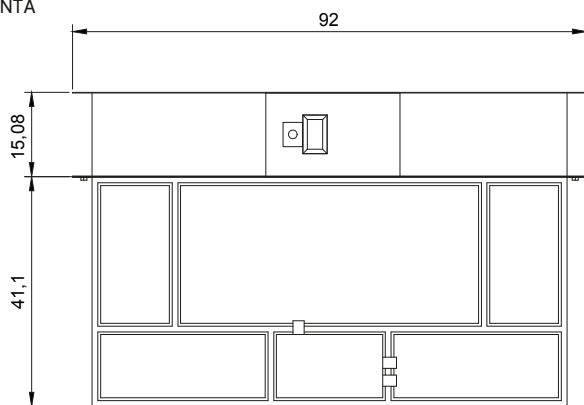
FLANGIA ATTACCO CANALE



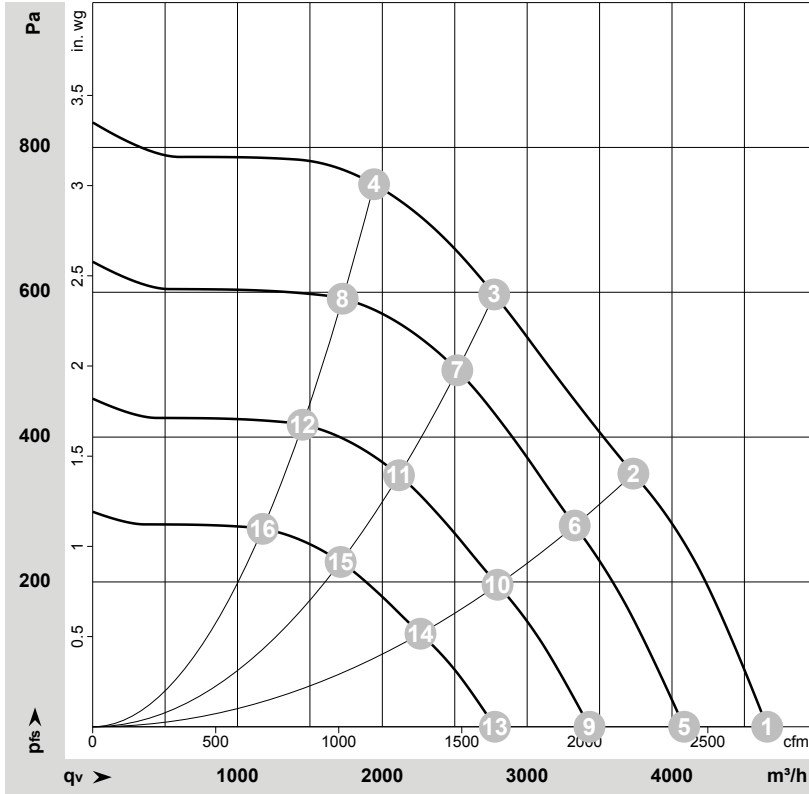
PROSPETTO LATERALE



PIANTA



Curves: Airperformance50Hz



Measured values

	Wired	U	f	n	P _{ed}	I	LpA _{in}	LwA _{in}	q _v	P _{fs}	q _v	P _{fs}
		V	Hz	min ⁻¹	W	A	dB(A)	dB(A)	m ³ /h	Pa	cfm	in. wg
1	1~	230	50	2850	557	2.45	77	84	4655	0	2740	0.00
2	1~	230	50	2805	750	3.30	73	79	3735	350	2195	1.41
3	1~	230	50	2750	750	3.30	68	76	2775	600	1630	2.41
4	1~	230	50	2815	750	3.30	71	78	1945	750	1145	3.01
5	1~	230	50	2500	376	1.65	73	81	4085	0	2405	0.00
6	1~	230	50	2500	530	2.31	70	77	3330	278	1960	1.12
7	1~	230	50	2500	554	2.42	66	74	2520	495	1480	1.99
8	1~	230	50	2500	525	2.29	68	76	1725	593	1015	2.38
9	1~	230	50	2100	223	0.98	69	77	3430	0	2020	0.00
10	1~	230	50	2100	314	1.37	66	72	2795	196	1645	0.79
11	1~	230	50	2100	329	1.44	62	69	2115	349	1245	1.40
12	1~	230	50	2100	311	1.36	63	71	1450	418	855	1.68
13	1~	230	50	1700	118	0.52	64	71	2775	0	1635	0.00
14	1~	230	50	1700	167	0.73	60	67	2265	128	1330	0.51
15	1~	230	50	1700	174	0.76	56	64	1710	229	1010	0.92
16	1~	230	50	1700	165	0.72	58	66	1175	274	690	1.10

Wired = Wiring · U = Voltage · f = Frequency · n = Speed (rpm) · P_{ed} = Power consumption · I = Current draw · LpA_{in} = Sound pressure level intake side · LwA_{in} = Sound power level intake side
 q_v = Air flow · P_{fs} = Pressure increase